



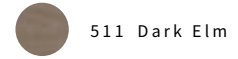
ONA

Unik - Compact base unit with two drawers and Fineceramic® basin

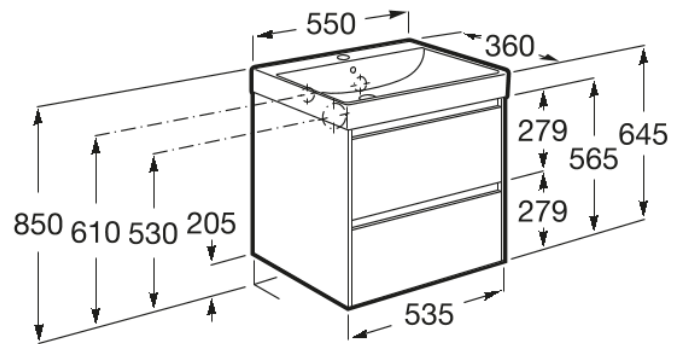
DIMENSIONS

Length	550 mm
Width	360 mm
Height	645 mm

COLOURS AND FINISHES



TECHNICAL DRAWINGS



FEATURES

Unik - Compact base unit with two drawers and Fineceramic® basin.
Faucet not included.

Base unit / Closing and opening system: Soft close drawers

Base unit / Doors and drawers combination: 2 Drawers

Base unit / Internal dividers

Base unit / Structure: Drawers

Basin / Taphole configuration: 1 Taphole in the middle

Basin Position: Central

Basin shape: Square

Dimensions / Basin and base unit / Length (mm): 550

Dimensions / Basin and base unit / Width (mm): 360

Dimensions / Basin and base unit / Height (mm): 645

Faucet installation: On the basin

Installation type: Wall-hung

Material / Base unit: MDF

Material / Basin: FINECERAMIC®

Space saving syphon included

BOUGHT TOGETHER FREQUENTLY



Column unit with two doors

857635...



Column unit with two doors and open shelf

857636...



Top unit with one door

857637...



Basin mixer with smooth body. Cold Start. S-Size

5A3A9E..0



Basin mixer with smooth body and click-clack waste. Cold Start. M-Size

5A3C9E..0

Ona

Simple as nature. Ona pays homage to the diverse shapes of nature from our native Mediterranean. It is functional without ever appearing cold, with crisp aesthetics that follow the inherent warmth of the natural environment, made for those who enjoy the power of silent landscapes



INSTALLATION AND USER MANUALS



User handbook